

**INSTALLATION NOTES:**

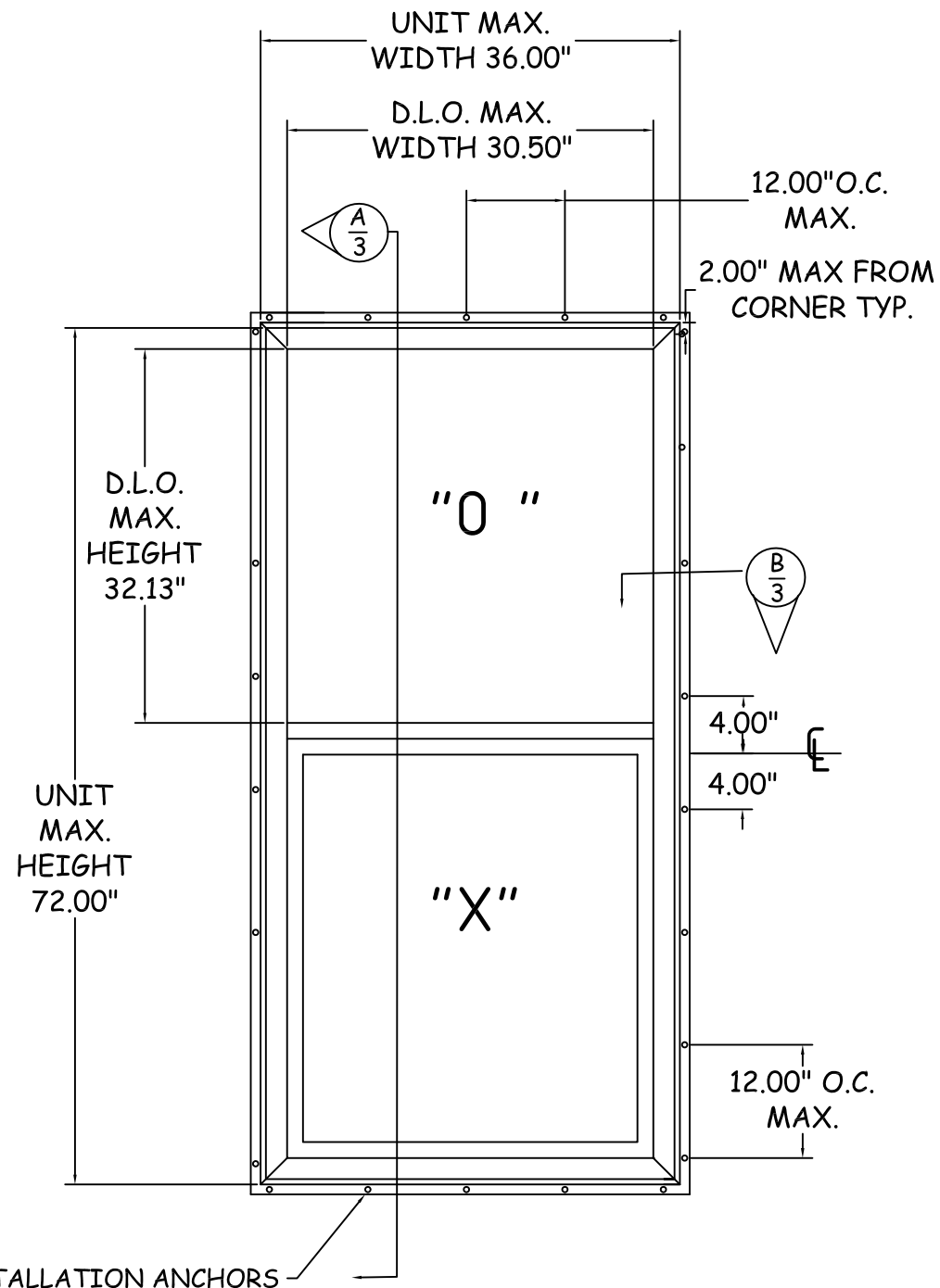
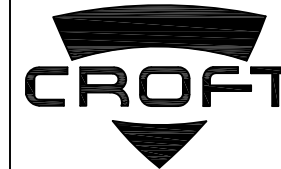
1. SHIM AS REQUIRED AT EACH INSTALLATION ANCHOR WITH LOAD BEARING SHIM(S). MAXIMUM ALLOWABLE SHIM STACK TO BE 1/4 INCH. SHIM WHERE SPACE OF 1/16 OR GREATER OCCURS. SHIM(S) SHALL BE CONSTRUCTED OF HIGH DENSITY PLASTIC OR BETTER.
2. MINIMUM EMBEDMENT AND EDGE DISTANCE EXCLUDE WALL FINISHES, INCLUDING BUT NOT LIMITED TO STUCCO, FOAM, BRICK VENEER AND SIDING.
3. INSTALLATION ANCHORS AND ASSOCIATED HARDWARE MUST BE MADE OF CORROSION RESISTANT MATERIAL OR HAS A CORROSION RESISTANT COATING.
4. INSTALLATION ANCHORS SHALL BE INSTALLED IN ACCORDANCE WITH ANCHOR MANUFACTURER'S INSTALLATION INSTRUCTIONS AND ANCHORS SHALL NOT BE USED IN SUBSTRATES WITH STRENGTHS LESS THAN THE MINIMUM STRENGTH SPECIFIED BY THE ANCHOR MANUFACTURER.
5. INSTALLATION ANCHOR CAPACITIES FOR PRODUCTS HEREIN ARE BASED ON SUBSTRATE MATERIALS WITH THE FOLLOWING PROPERTIES:
  - A. WOOD-MINIMUM SPECIFIC GRAVITY OF 0.55.
  - B. STEEL-MINIMUM 20 GA. (Fy = 33 KSI)
6. FOR INSTALLATION INTO 2X WOOD BUCK OR FRAMING, USE ONE #8 WOOD SCREW, TYPE INSTALLATION ANCHOR PER LOCATION OF SUFFICIENT LENGTH TO ACHIEVE A MINIMUM 1 1/2" EMBEDMENT AND SHALL MAINTAIN A MIN. EDGE DISTANCE OF 3/4 IN.
7. FOR INSTALLATION THROUGH METAL STUD USE #8 TEK SCREWS OF SUFFICIENT LENGTH TO ACHIEVE 3 THREADS MINIMUM PENETRATION BEYOND METAL STRUCTURE. METAL ANCHORS SHALL MAINTAIN A MINIMUM EDGE DISTANCE OF 3/4 INCH.

**GENERAL NOTES:**

1. THE PRODUCT SHOWN HEREIN IS DESIGNED AND MANUFACTURED TO COMPLY WITH THE 5TH EDITION 2014 FLORIDA BUILDING CODE(FBC)EXCLUDING HVHZ AND HAS BEEN EVALUATED ACCORDING TO THE FOLLOWING:
  - AAMA/WDMA/CSA 101/1.S.2/A440-08
2. ADEQUACY OF THE EXISTING STRUCTURAL CONCRETE/MASONRY AND 2X FRAMING AS A MAIN WIND FORCE RESISTING SYSTEM CAPABLE OF WITHSTANDING AND TRANSFERRING APPLIED PRODUCT LOADS TO THE FOUNDATION IS THE RESPONSIBILITY OF THE ENGINEER OR ARCHITECT OF RECORD FOR THE PROJECT OF INSTALLATION.
3. 2X BUCKS (WHEN USED) SHALL BE DESIGNED AND ANCHORED TO PROPERLY TRANSFER ALL LOADS TO THE STRUCTURE. BUCK DESIGN AND INSTALLATION IS THE RESPONSIBILITY OF THE ENGINEER OR ARCHITECT OF RECORD FOR THE PROJECT OF INSTALLATION.
4. 2X WOOD STUDS SHALL BE ATTACHED TO FULL LENGTH OF THE FRAME WHEN USED INSIDE METAL FRAMING AS STIFFENERS, WOOD STIFFENERS SHALL BE DESIGNED AND ANCHORED TO PROPERLY TRANSFER ALL LOADS OF THE STRUCTURE. STIFFENER DESIGN AND INSTALLATION IS THE RESPONSIBILITY OF THE ENGINEER OR ARCHITECT OF RECORD FOR THE PROJECT OF INSTALLATION.
5. THE INSTALLATION DETAILS DESCRIBED HEREIN ARE GENERIC AND MAY NOT REFLECT ACTUAL CONDITIONS FOR A SPECIFIC SITE. IF SITE CONDITIONS CAUSE INSTALLATION TO DEVIATE FROM THE REQUIREMENTS DETAILED HEREIN, A LICENSED ENGINEER OR ARCHITECT SHALL PREPARE SITE SPECIFIC DOCUMENTS FOR USE WITH THIS DOCUMENT.
6. APPROVED IMPACT PROTECTIVE SYSTEM IS REQUIRED TO PROTECT THIS PRODUCT IN AREAS REQUIRING IMPACT RESISTANCE.
7. WINDOW FRAME MATERIAL: PVC
8. GLASS MEETS REQUIREMENTS OF ASTM E1300-04 GLASS CHARTS.
9. DESIGNATIONS:
  - X: OPERABLE PANEL
  - O: FIXED PANEL

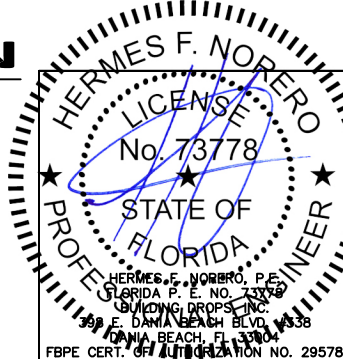
# CROFT, LLC

## SERIES 20 SINGLE HUNG TILT WINDOW

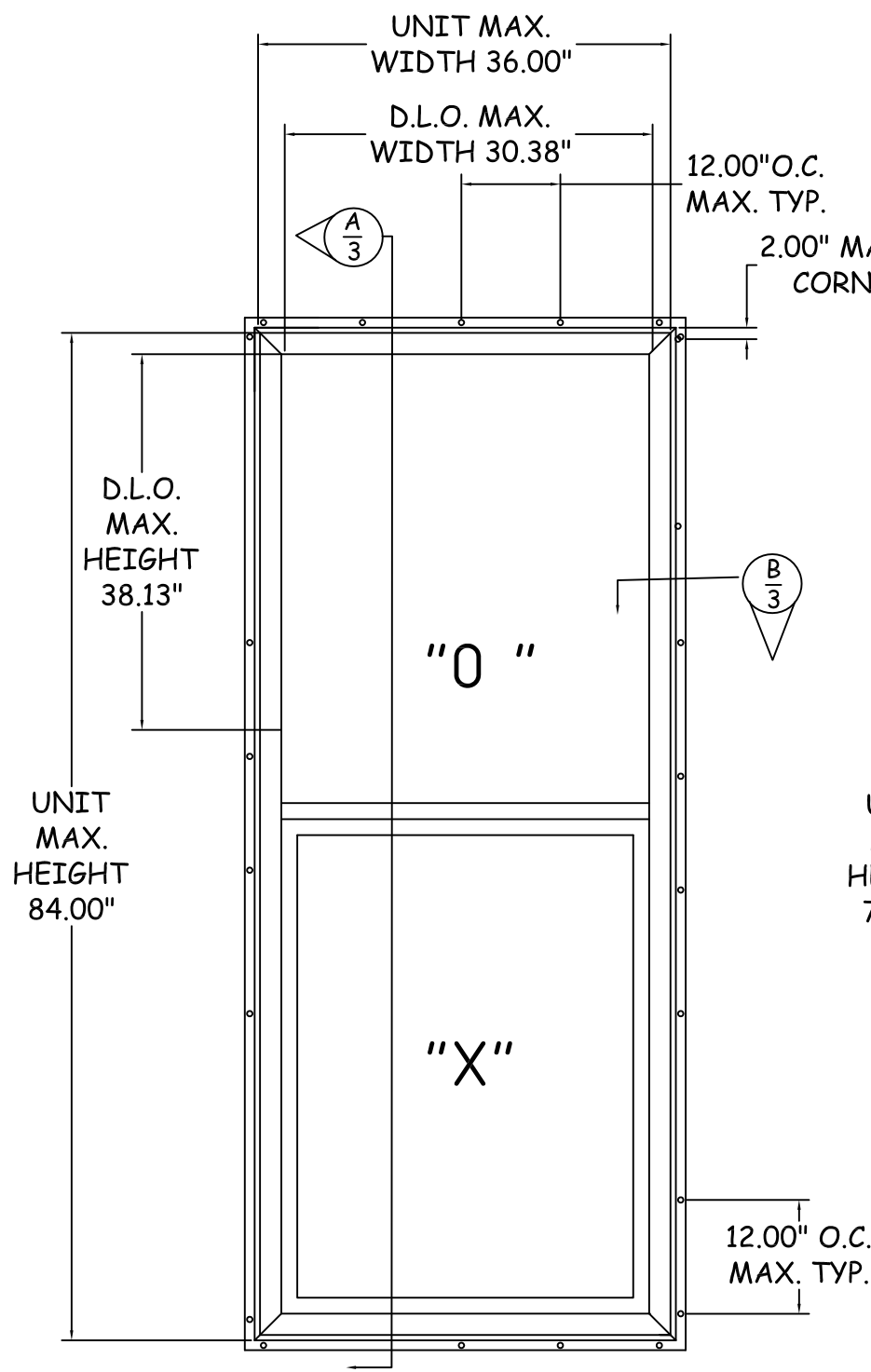


### ELEVATION

DESIGN PRESSURE  
+/-50.0 PSF

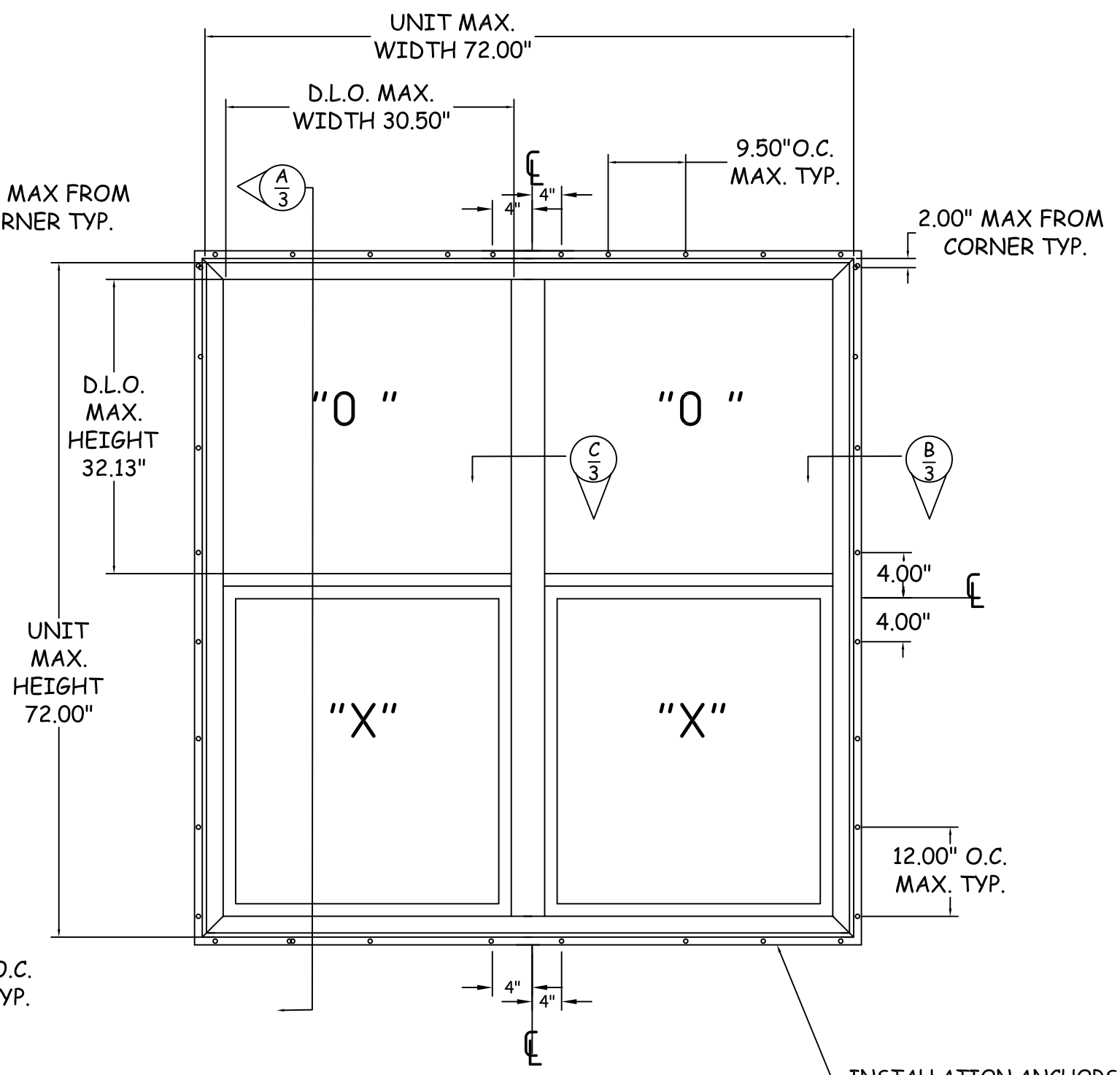


<b>REVISIONS</b>		Title:	
NO	DESCRIPTION	BY	DATE
A.	5TH EDITION 2014 FBC REVISION	LS	2/11/16
Title:		SERIES 20 SH TILT WINDOW NOTES AND ELEVATION CROFT, LLC. P.O. BOX 826 McCOMB, MS. 39649 PH: 601-684-6121 FX: 601-783-3188	
DATE	DWN BY:	CHK BY:	SCALE:
11/14/12	J. BITZ	-	NONE
DRAWING #:		0020-951	
SHEET:		1 OF 4	



**ELEVATION**

DESIGN PRESSURE  
+/-35.0 PSF



**ELEVATION**

DESIGN PRESSURE  
+/-50.0 PSF

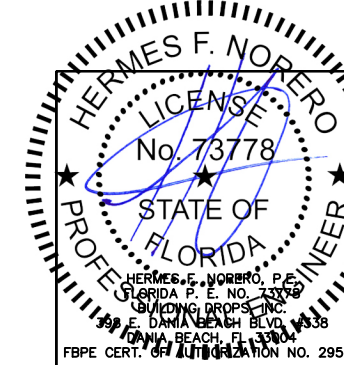
**SERIES 20 SH TILT WINDOW**

ELEVATIONS  
CROFT, LLC.  
P.O. BOX 826  
McCOMB, MS. 39649  
PH: 601-684-6121 FX: 601-783-3188

Title:

NO	DESCRIPTION	REVISIONS	
		BY	DATE

DATE: 11/14/12	DWN BY: J. BITZ	CHK BY: --	SCALE: NONE
DRAWING #: <b>0020-951</b>			
SHEET: <b>2 OF 4</b>			



INSTALLATION ANCHORS



**SERIES 20 SH TILT WINDOW**

X-SECTIONS & GLAZING DETAIL

CROFT, LLC.  
P.O. BOX 826  
McCOMB, MS. 39649  
PH: 601-684-6121 FX: 601-783-3188

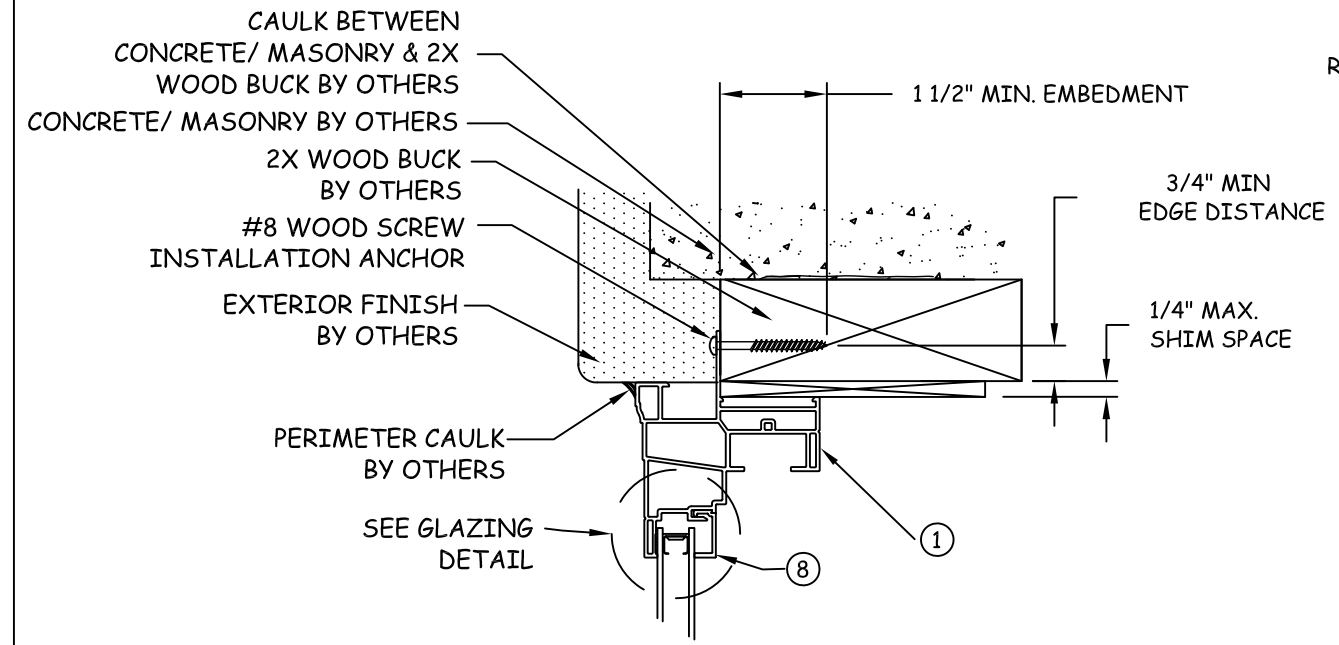
Title:

NO	DESCRIPTION	REVISIONS	
		BY	DATE

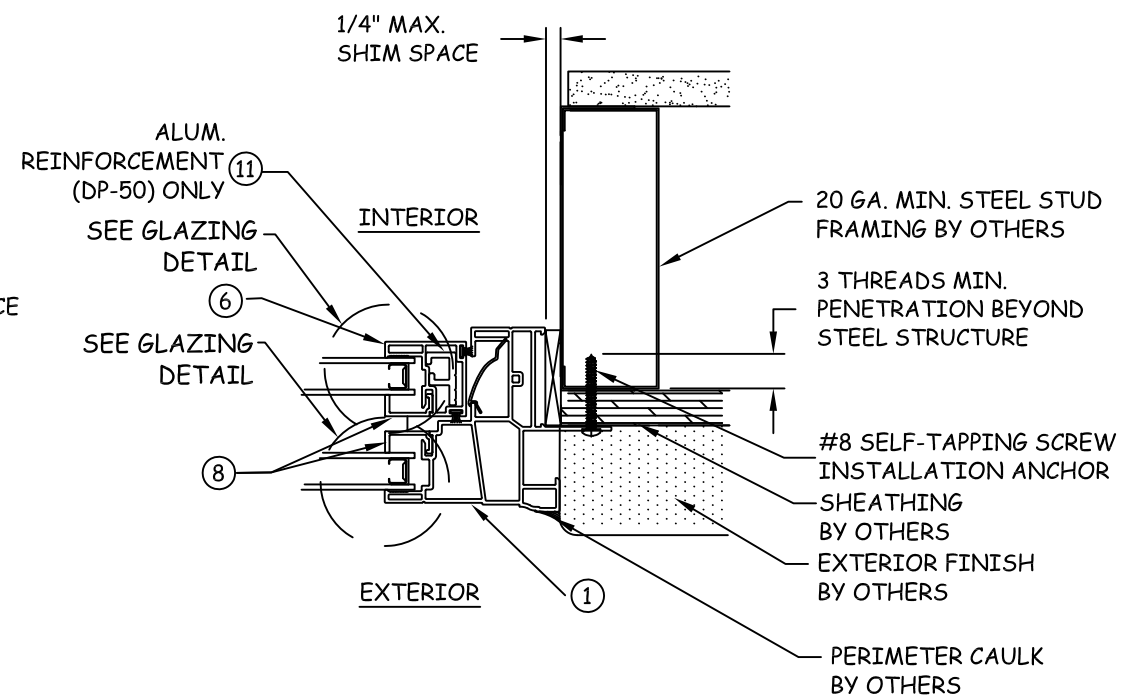
11/16/12	DWN BY: J. BITZ	CHK BY: -	SCALE: NONE
----------	-----------------	-----------	-------------

DRAWING #: **0020-951**

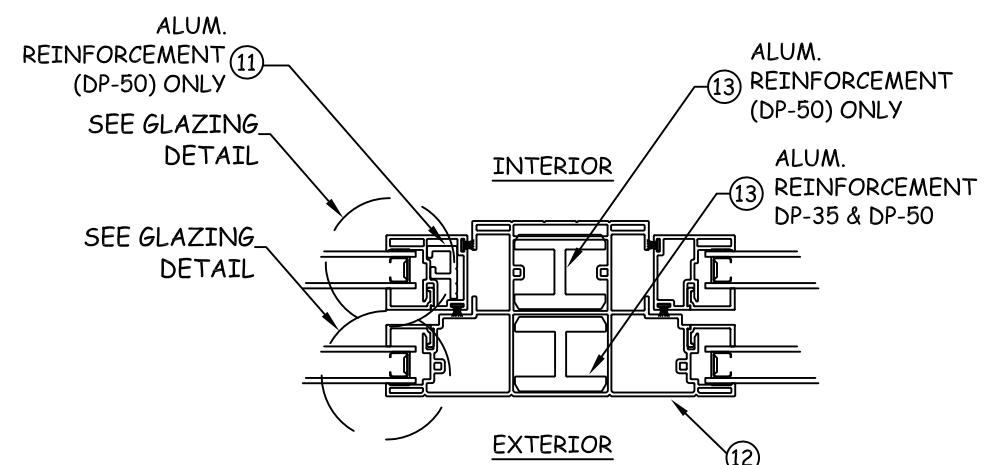
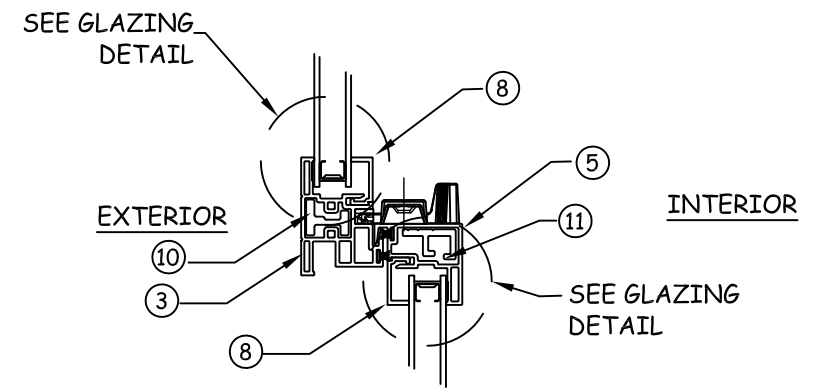
SHEET: **3 OF 4**



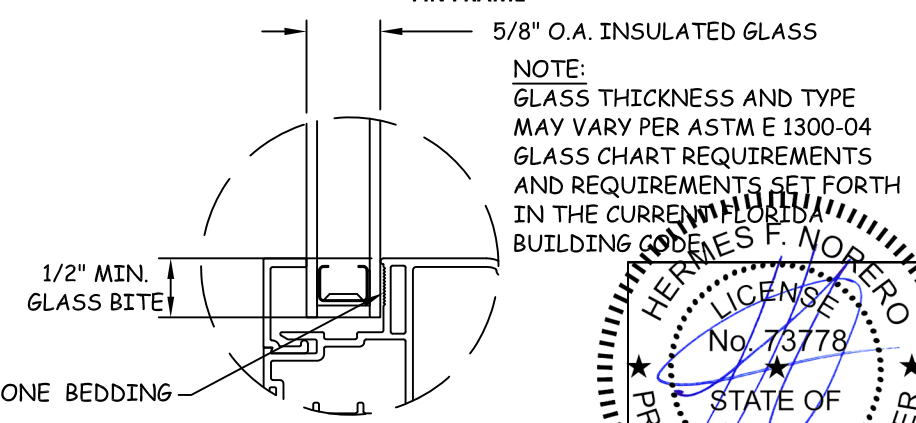
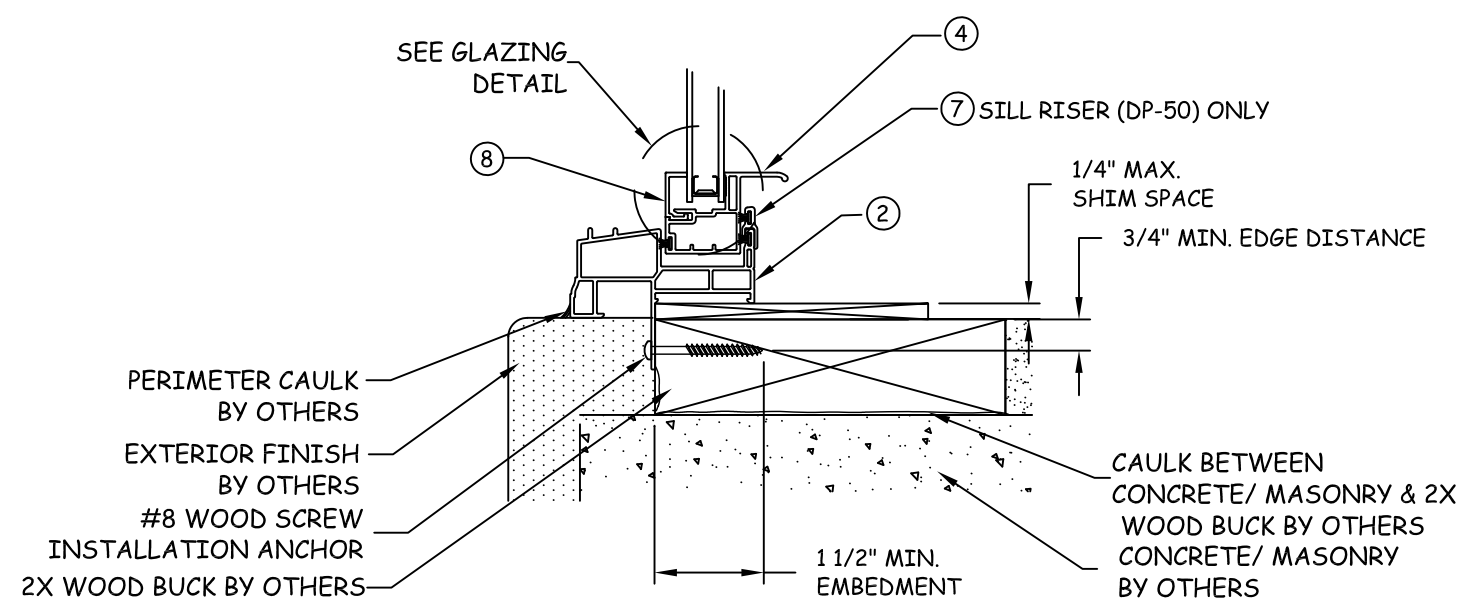
**A**  
**3**  
**VERTICAL SECTION**  
SILL - 2X WOOD BUCK  
FIN FRAME



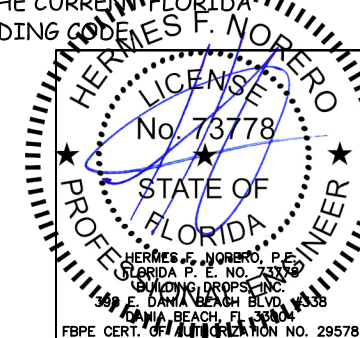
**B**  
**3**  
**HORIZONTAL SECTION**  
JAMB - STEEL STUD FRAME  
FIN FRAME



**C**  
**3**  
**HORIZONTAL SECTION**  
INTERMITTLE JAMB  
FIN FRAME



**GLAZING DETAIL**





Series 20 SH TILT WINDOW

COMPONENTS  
CROFT, LLC.  
P.O. BOX 826  
McCOMB, MS. 39649  
PH: 601-684-6121 FX: 601-783-3188

Title:

NO	DESCRIPTION	REVISIONS	
		BY	DATE

11/16/12	DWN BY: J. BITZ	CHK BY: -	SCALE: NONE
DRAWING #: 0020-951			
SHEET: 4 OF 4			

